

Georg Fischer Type 369 Wafer Check Valve

Standard Features

- **Size**
1½"-12"
- **Material**
PVC
- **Seals**
EPDM or FPM
Sealing with special Q ring,
compatible with flat or serrated
flanges
- **Spring (optional)**
316 SS or Hastelloy C
- **Mounting**
Suitable for vertical and horizontal
mounting
- **Installation**
Mounts between both ANSI and ISO/
DIN flanges

Centerin eyelets for easy fitting

Standards

- ANSI
- ISO/DIN



General

The 369 wafer check valve from Georg Fischer is an ideal solution for a variety of applications. Mounted between two ANSI flanges, the design of the 369 valve allows for easy installation or removal in the field. The valve is available in versions with or without springs. The spring loaded version works well in horizontal installations where many check valves may not. With the standard 316 stainless steel spring or the optional hastelloy C, the valve can be subjected to a wide range of chemical mixes. The 369 valve, with a size range of 1½" to 12", is a perfect fit for many of today's industrial applications

Important note: This is not a full port valve. Opening angle is between 70-90%.

Type 369 Wafer Check Valve

Type 369 Wafer Check Valve PVC Without Spring

Size ID Inch	PVC/EPDM	psi	PVC/FPM	lbs	Flange Size
1½	161 369 003	90	161 369 023	0.35	2
2	161 369 004	90	161 369 024	0.55	2½
2½	161 369 005	90	161 369 025	0.71	3
3	161 369 006	90	161 369 026	0.86	4
4	161 369 007	90	161 369 027	1.21	4
5	161 369 009	90	161 369 029	1.65	5
6	161 369 010	90	161 369 030	2.43	6
8	161 369 011	90	161 369 031	4.63	8
10	161 369 012	90	161 369 032	7.72	10
12	161 369 013	90	161 369 033	11.68	12

Note: For sizes 3" and below use next size flange adapter, see recommended flanges below

Type 369 Wafer Check Valve SS-316 Spring PVC

Size ID Inch	PVC/EPDM	psi	PVC/FPM	lbs	Flange Size
1½	161 369 043	90	161 369 063	0.35	2
2	161 369 044	90	161 369 064	0.55	2½
2½	161 369 045	90	161 369 065	0.71	3
3	161 369 046	90	161 369 066	0.86	4
4	161 369 047	90	161 369 067	1.21	4
5	161 369 049	90	161 369 069	1.65	5
6	161 369 050	90	161 369 070	2.43	6
8	161 369 051	90	161 369 071	4.63	8
10	161 369 052	90	161 369 072	7.72	10
12	161 369 053	90	161 369 073	11.68	12

Note: For sizes 3" and below use next size flange adapter, see recommended flanges below

Type 369 Wafer Check Valve Hastelloy C Spring PVC

Size ID Inch	PVC/EPDM	psi	PVC/FPM	lbs.	Flange Size
1½	161 369 083	90	161 369 103	0.35	2
2	161 369 084	90	161 369 104	0.55	2½
2½	161 369 085	90	161 369 105	0.71	3
3	161 369 086	90	161 369 106	0.86	4
4	161 369 087	90	161 369 107	1.21	4
5	161 369 089	90	161 369 109	1.65	5
6	161 369 090	90	161 369 110	2.43	6
8	161 369 091	90	161 369 111	4.63	8
10	161 369 092	90	161 369 112	7.72	10
12	161 369 093	90	161 369 113	11.68	12

Note: For sizes 3" and below use next size flange adapter, see recommended flanges below

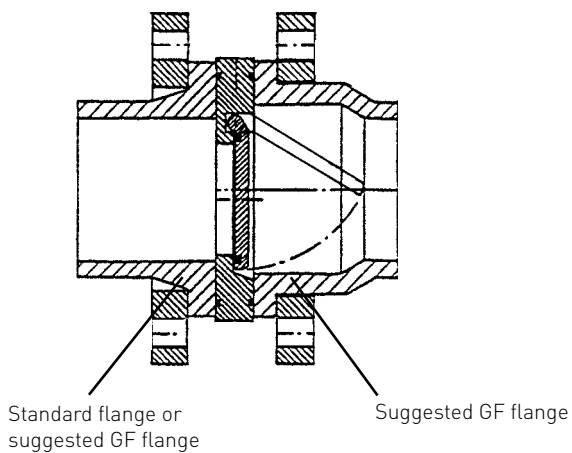
Van Stone Flange

Size ID Inch	PVC
2	856-020
2½	856-025
3	856-030
4	856-040
6	856-060
8	856-080
10	854-100
12	854-120

Note: Sizes 2"-8" are Spigot Ends; 10"-12" are Socket Ends

Technical Data

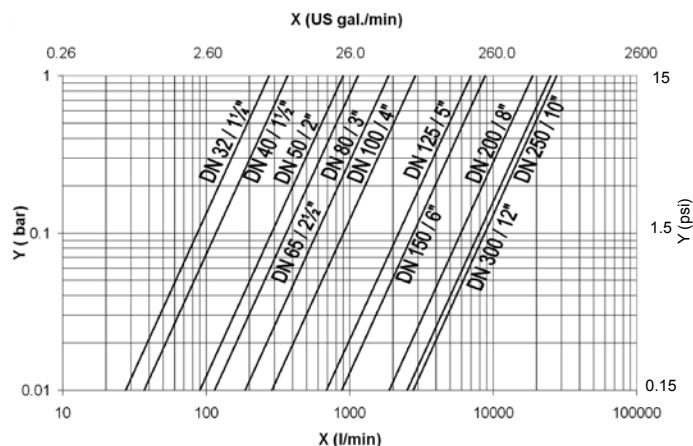
Flange Assembly, Type 369



Important Installation Instructions

- A stabilizing zone of at least 5 times nominal diameter should be provided before and after the wafer check valve
- For sizes 3" and below use the next larger flange size (i.e. 2" valves require a 2½" flange)
- Direct installation on pump flange or bend not recommended
- Wafer check valves without reset spring are not recommended for pulsating flows

Pressure Loss

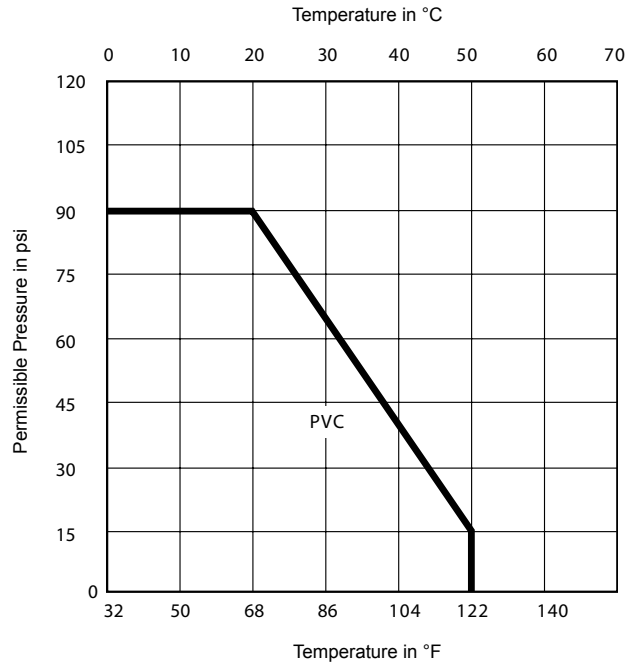


Cv Flow rate (l/min, US gal/min)
 Y Pressure Loss Δp (bar, psi)

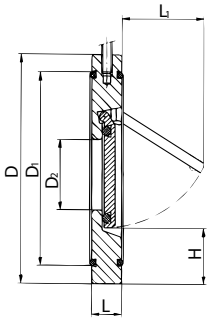
Cv values

Inch	Cv US gal/min ($\Delta p = 1$ psi)
1½	25.9
2	63.0
2½	79.8
3	130.9
4	200.9
5	399.0
6	483.0
8	1316.0
10	1750.0
12	1932.0

Pressure-Temperature Diagram



Dimensions, opening pressure, tightness



Dimensions							Opening Pressure [psi]				Minimum water column for sealing [ft.]
Inch	D [mm]	D1 [mm]	D2 [mm]	L [mm]	L1 [mm]	H [mm]	Vertical without spring	vertical with spring	horizontal without spring	horizontal with spring	PVC
1½	95	72	22	16	25	28	0.15	0.44	0.01	0.29	6.5
2	109	86	32	18	37	29	0.15	0.44	0.01	0.29	6.5
2½	129	105	40	20	50	31	0.15	0.44	0.01	0.29	6.5
3	144	119	54	20	61	32	0.15	0.44	0.01	0.29	6.5
4	164	146	70	23	77	31	0.15	0.44	0.01	0.29	6.5
5	195	173	92	23	94	35	0.15	0.44	0.01	0.29	6.5
6	220	197	112	26	115	35	0.15	0.44	0.01	0.29	6.5
8	275	255	154	35	152	38	0.26	0.55	0.01	0.29	6.5
10	330	312	192	40	180	41	0.26	0.55	0.01	0.29	6.5
12	380	363	227	45	215	41	0.26	0.55	0.01	0.29	6.5

Dimensions, opening pressure, tightness

Inch	Number of bolts	Torque [ft. lb.]	Torque [Nm]
1½	4	8.5	12
2	4	11.1	15
2½	4	13.3	18
3	4	14.8	20
4	8	16.2	22
5	8	18.4	25
6	8	22.1	30
8	8	44.3	60
10	12	44.3	60
12	12	44.3	60

GF Piping Systems Product Lines

Piping Systems

Schedule 40 PVC
Hi-Strength Schedule 80 PVC and CPVC
PROGEF® Polypropylene
PPro-Seal™ Natural Polypropylene
PROGEF® Natural PP-n Polypropylene
SYGEF® Plus PVDF
FuseBond™ PFA Schedule 40
Fuseal® Corrosive Waste System
Contain-It™ Secondary Containment
Fusion Technology:

- Electro fusion featuring the MSA 250SE
- Socket fusion featuring the SG 110
- IR Plus®
- BCF Plus®

Automation

Manual and Actuated Valves
Solenoid Valves
Pressure Regulating Valves
Rotameters
Signet Flow, Level and Analytical Instrumentation

Custom Products

Specialty Components
Pre-welded Spools and Assemblies

Semifinished Products

Lining Laminates
Stock Shapes (Sheet, Rod, Block)

CALORPLAST Heat Exchangers

GF Piping Systems, Inc.
2882 Dow Avenue, Tustin, CA 92780
Tel (714) 731-8800 / (800) 854-4090, Fax (714) 731-6201
email: us.ps@georgfischer.com
www.us.piping.georgfischer.com

SYGEF, PROGEF, PPro-Seal, Fuseal, Fuseal Squared, Contain-it, SIGNET, IR Plus, and BCF Plus are registered trademarks.
FuseBond is the trademark of Saint-Gobain Performance Plastics.

Australia

George Fischer Pty Ltd
Kingsgrove NSW 2008
Phone +61(0)2/95 54 39 77
sales@georgfischer.com.au
www.georgfischer.com.au

Austria

George Fischer Rohrleitungssysteme GmbH
3130 Herzogenburg
Phone +43(0)2782/856 43-0
office@georgfischer.at
www.georgfischer.at

Belgium/Luxembourg

Georg Fischer NV/SA
1070 Bruxelles/Brüssel
Phone +32(0)2/556 40 20
info.be@georgfischer.com
www.georgfischer.be

Brazil

George Fischer Ltda
04795-100 São Paulo
Phone +55(0)11/5687 1311

China

Georg Fischer Piping Systems Ltd Shanghai
Pudong, Shanghai 201319
Phone +86(0)21/58 13 33 33
info@cn.piping.georgfischer.com
www.cn.piping.georgfischer.com

Denmark/Iceland

George Fischer A/S
2630 Taastrup
Phone +45 (0)70 22 19 75
info@dk.piping.georgfischer.com
www.georgfischer.dk

France

George Fischer S.A.S.
93208 Saint-Denis Cedex 1
Phone +33(0)1/492 21 34 1
info@georgfischer.fr
www.georgfischer.fr

Germany

Georg Fischer GmbH
73095 Albershausen
Phone +49(0)7161/302-0
info@georgfischer.de
www.rls.georgfischer.de

Georg Fischer DEKA GmbH
35232 Dautphetal-Mornshausen
Phone +49(0)6468/915-0
info@dekapipe.de
www.dekapipe.de

Greece

Georg Fischer S.p.A.
10434 Athens
Phone +30(0)1/882 04 91
office@piping-georgfischer.gr

India

George Fischer Piping Systems Ltd
400 093 Mumbai
Phone +91(0)22/820 2362
branchoffice@georgfischer.net

Italy

Georg Fischer S.p.A.
20063 Cernusco S/N (MI)
Phone +3902/921 861
office@piping.georgfischer.it
www.georgfischer.it

Japan

Georg Fischer Ltd
556-0011 Osaka,
Phone +81(0)6/6635 2691
info@georgfischer.jp
www.georgfischer.jp

Malaysia

Georg Fischer (M) Sdn. Bhd.
47500 Subang Jaya
Phone +60 (0)3-8024 7879
conne.kong@georgfischer.com.my

Netherlands

Georg Fischer N.V.
8161 PA Epe
Phone +31(0)578/678 222
info.vgnl@nl.piping.georgfischer.com
www.georgfischer.nl

Norway

Georg Fischer AS
1351 Rud
Phone +47(0)67 18 29 00
info@no.piping.georgfischer.com
www.georgfischer.no

Poland

Georg Fischer Sp. z o.o.
02-226 Warszawa
Phone +48(0)22/313 10 50
www.georgfischer.pl

Romania

Georg Fischer
Rohrleitungssysteme AG
70000 Bucharest - Sector 1
Phone +40(0)1/222 91 36
office@georgfischer.ro

Singapore

Georg Fischer Pte Ltd
417 845 Singapore
Phone +65(0)67 47 06 11
info@georgfischer.com.sg
www.georgfischer.com.sg

Spain/Portugal

Georg Fischer S.A.
28009 Madrid
Phone +34(0)91/781 98 90
info@georgfischer.es
www.georgfischer.es

Sweden/Finland

Georg Fischer AB
12523 Älvsjö-Stockholm
Phone +46(0)8/506 77 500
info@georgfischer.se
www.georgfischer.se

Switzerland

Georg Fischer Rohrleitungssysteme [Schweiz] AG
8201 Schaffhausen
Phone +41(0)52 631 30 26
info@rohrleitungssysteme.georgfischer.ch
www.piping.georgfischer.ch

United Kingdom/Ireland

George Fischer Sales Limited
Coventry, CV2 2ST
Phone +44(0)2476 535 535
info@georgfischer.co.uk
www.georgfischer.co.uk

USA/Canada/Latin America/Caribbean

George Fischer Inc.
Tustin, CA 92780-7258
Phone (714) 731-8800, Toll Free (800) 854-4090
us.ps@georgfischer.com
www.us.piping.georgfischer.com

Export

Georg Fischer Rohrleitungssysteme [Schweiz] AG
8201 Schaffhausen
Phone +41(0)52 631 11 11
export@piping.georgfischer.com
www.piping.georgfischer.com